

PFC

24/12

Digital Quartz Clock/Timer

Design Specifications:

Clock

Elapsed Time

Date

Accuracy

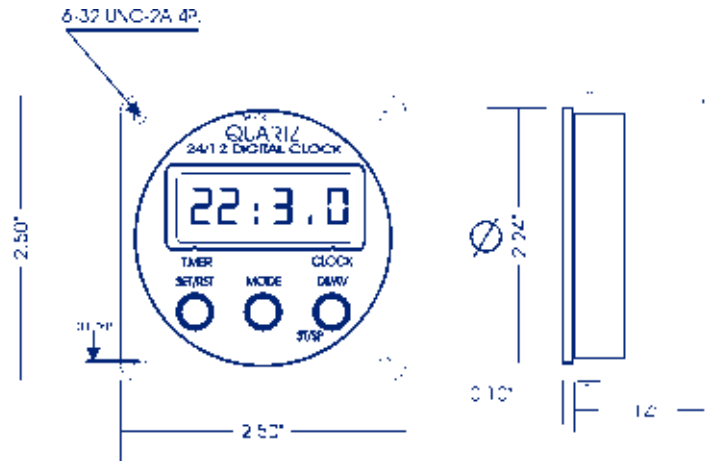
Power

Display

Weight

Installation

Environmental



Our high quality timer uses an integrated circuit (LSI) chip which controls all the clock/timer functions. The LSI is attached to our proprietary circuit board design, maximizing reliability and performance.

- 4-digit clock, select 24 or 12 hour internally, before installation.
- 24-hour capacity, displays minutes, seconds, first hour, and hours/minutes.
- Date is displayed in Month/Day format.
- Accuracy better than a few seconds per month.

Our unit is powered by a lithium ion internal battery. Internal battery life is more than 10,000 hours. The lighting power drain, when connected to the aircraft battery, is nominal.

Our liquid crystal display (LCD) can be seen in direct sunlight and is also backlit for night use. Backlighting is 12v and 24v compatible.

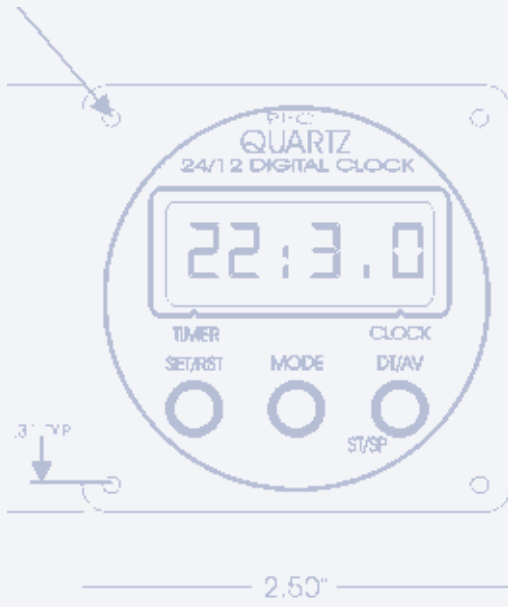
- Weighs less than 4oz.
- Our unit installs into a standard 2.25" clock panel cutout.

Our device is qualified for all of the applicable sections of RTCA DO-160 for electrical and mechanical compliance.

PFC

24/12

Digital Quartz Clock/Timer



The 24/12 is a precise and economical clock/timer with features to include:

- Time 24/12
- Date
- Elapsed Time
- LCD for reliability and readability
- Four-digit display
- 24 or 12 hour selectable display
- 24-hour timer
- Displays date
- Lighting
- Simple three button operation
- Mounts in standard two and one quarter inch instrument panel cutout

For more information contact:
Precision Flight Controls, Inc.
10555 Norden Avenue, Ste. A
Mather, CA 95742
916-414-1310
fax 916-414-1326
www.flypfc.com